

## Max Casement Hardware System

AT 0504-2020

### Max Casement Hardware System

The AmesburyTruth™ Max Casement hardware system is an engineered solution with impressive performance and weight carrying capabilities that allow window manufacturers to meet the most demanding requirements. These residential products can also meet commercial ratings in certain situations. Stainless steel AW rated for 48" x 96", and steel commercially rated for 44" x 84" windows. The Max Casement hardware system can be used to support and operate a sash weighing up to 140lbs.

The high-performance Max Casement hardware system includes our Heavy Duty Hinge and Heavy Duty Encore Operator suitable for use with larger casement windows. When combined with our multi-point locking systems, Encore (for wood) or Maxim (for vinyl), the higher design pressures which result from larger window sizes can be attained. Our custom developed tie bars and keepers give maximum loading on three sides of the sash when our ATC corner drive is utilized.

### Heavy Duty Encore™ Operators



### Heavy Duty Hinge



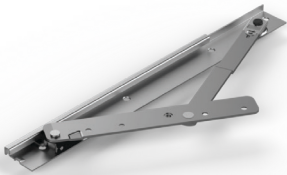
### Encore™ and Maxim™ Locks



## Max Casement Hardware System

AT 0504-2020

### Heavy Duty Hinges



#### Innovative patented shoe design with built-in roller

Supports increased loads.  
Operates heavier sashes with greater ease.

#### Heavy duty hinge track

Negative air ramp.  
Supports high negative air pressures.

#### Larger adjustable brass stud

Offers more adjustment.

#### Technical Specifications

140 lb sash capacity.

Fits 5/8" cavity height.

13" track length.

Adjustability +/- .060".

### Heavy Duty Encore™ Operators



#### Longer and heavier sash arm

Resists higher wind speeds.  
Meets larger AAMA standards.

#### Longer dyad arm

Improves ease of operation.  
Supports ADA force requirements.

#### Fits standard Encore cutouts

#### Accepts all Encore Cover/Handle

#### Technical Specifications

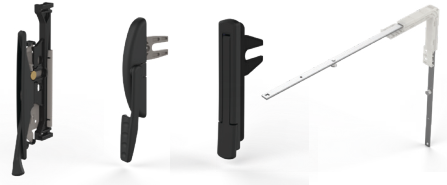
AAMA Architectural Window rating for load and cycle life.

EGard Steel or Stainless steel operator arms available.

Casement sash load capacity up to 140 lbs (48" x 96").

\*with possible limited opening

### Encore™ and Maxim™ Locks



#### Provides true sequential locking

Reduced operating forces.  
Ensure lock point engagement.  
Compress longer/larger weatherseal systems.

#### Custom tie bar components

Reduced installation time.  
Maximum application flexibility.

#### ATC corner drives available

Provide locking on 3 sides.  
Higher DP loads possible.

#### Technical Specifications

Up to 102" frame height.

350 lbs per lock point.

Up to 6 lock points.

DP 100 Capable.

625" lock reach ensures positive engagement.

## Max Casement Hardware System

AT 0504-2020

### Part Numbers

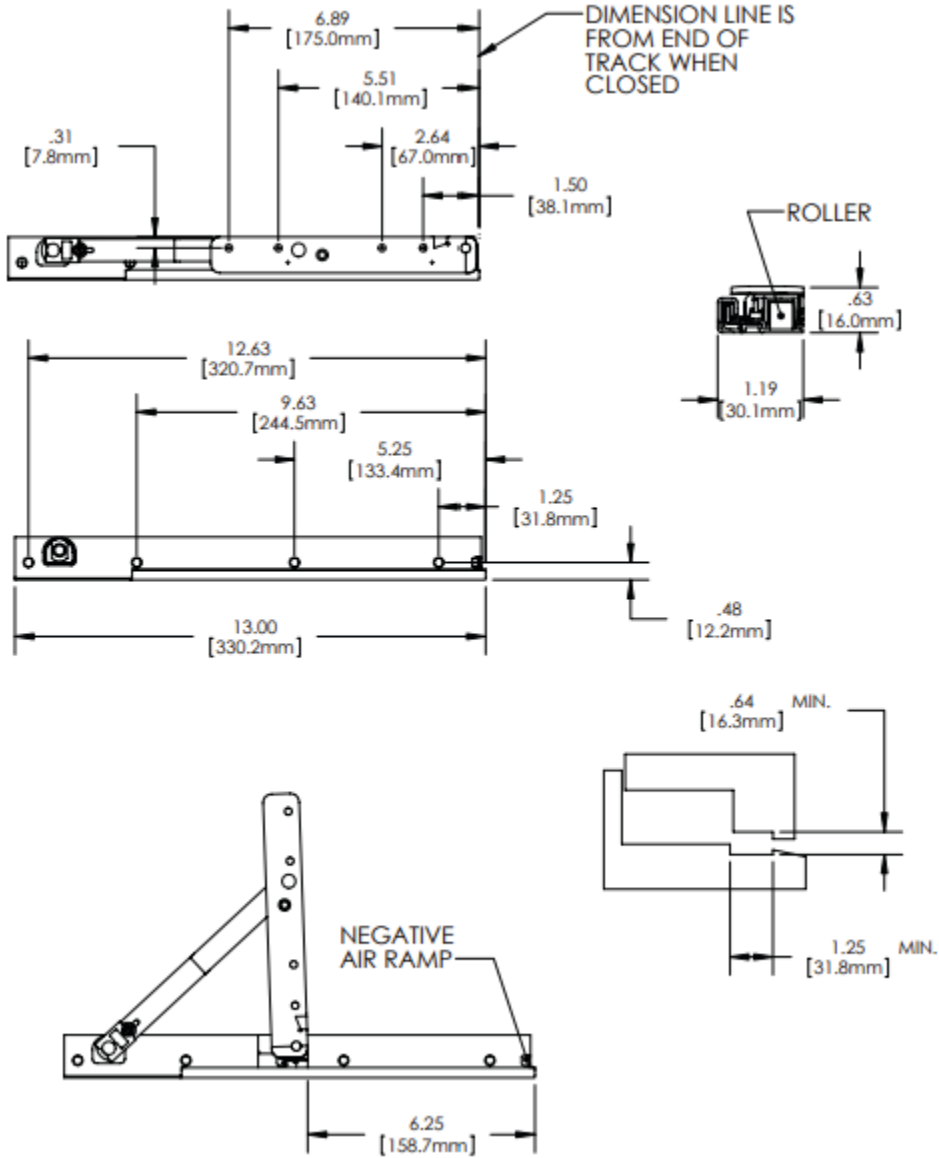
Part Numbers	Description	Carton Quantity
14.10.00.511.1	HD Hinge SST Track LH	80
14.10.00.512.1	HD Hinge SST Track RH	80
14.10.00.513.1	HD Hinge SST Arm LH	80
14.10.00.514.1	HD Hinge SST Arm RH	80
50.19.00.511	Encore HD Dual Arm Operator LH	20
50.19.00.512	Encore HD Dual Arm Operator RH	20
52.15.00.521	Encore HD Single Arm Operator LH	20
52.15.00.522	Encore HD Single Arm Operator RH	20
42090	HD SST Operator Track	100
14548.00.0500	HD SST Stud Bracket LH	200
14547.00.0500	HD SST Stud Bracket RH	200
12642.93	Encore Lock Driver	100
12662.XX	Encore Handle/Escutcheon	50
24.54.XX.001	Maxim Long handle Lock Driver	50
24.43.XX.001	Maxim LP Lock Driver	50
TBD	Tiebar and Keeper (Per Application)	TBD
14876	ATC, MP/MX Casement Standard	10

**Max Casement Hardware System**

AT 0504-2020

**Technical Drawings**

**Heavy Duty Hinges**



## Max Casement Hardware System

AT 0504-2020

### Encore™ Lock

FIG. 10 HANDLE AND ESCUTCHEON 12662.XX

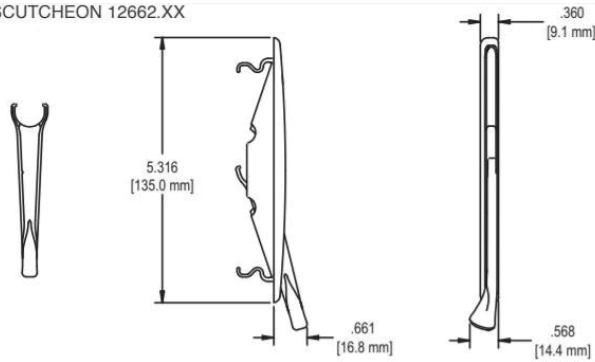
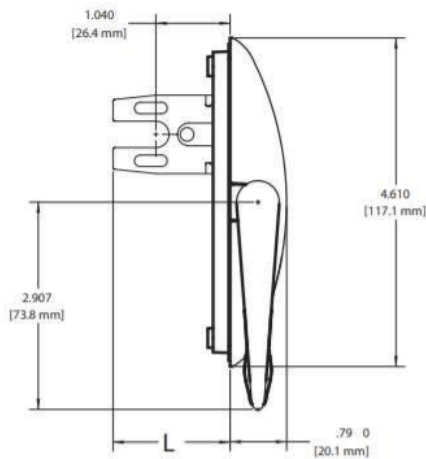
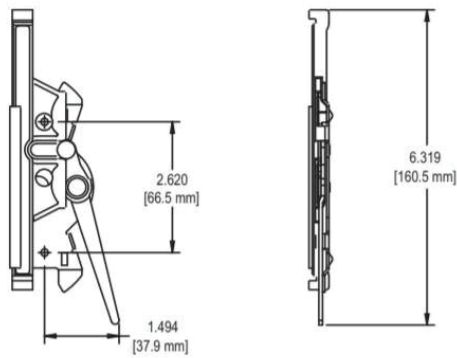


FIG. 11 LOCK DRIVE ASSEMBLY 12642.92

**RECOMMENDED SCREWS:**  
 2 (P/N 19077.92)  
 #6 X 1 PAN HEAD  
 SHEET METAL SCREW

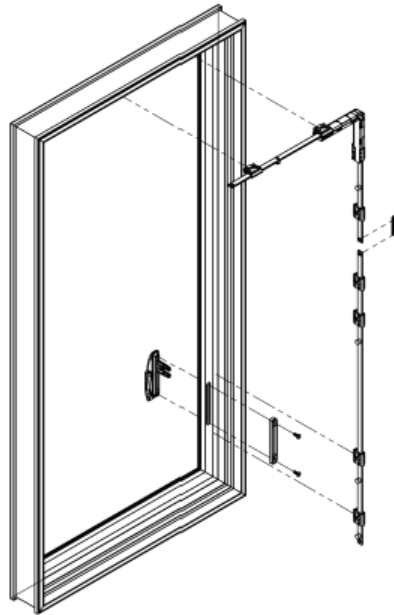


PART NO.	L	J SEE FIG. 1
24.30	1.390	1.450
24.31	1.890	1.950
24.33	1.640	1.700

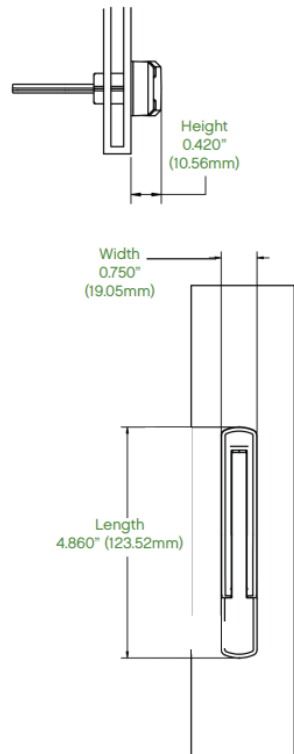
## Max Casement Hardware System

AT 0504-2020

### Maxim™ ATC



### Maxim™ LP Lock



**Max Casement Hardware System**

AT 0504-2020

**Heavy Duty Encore™ Operator (Single and Dual Arm)**

